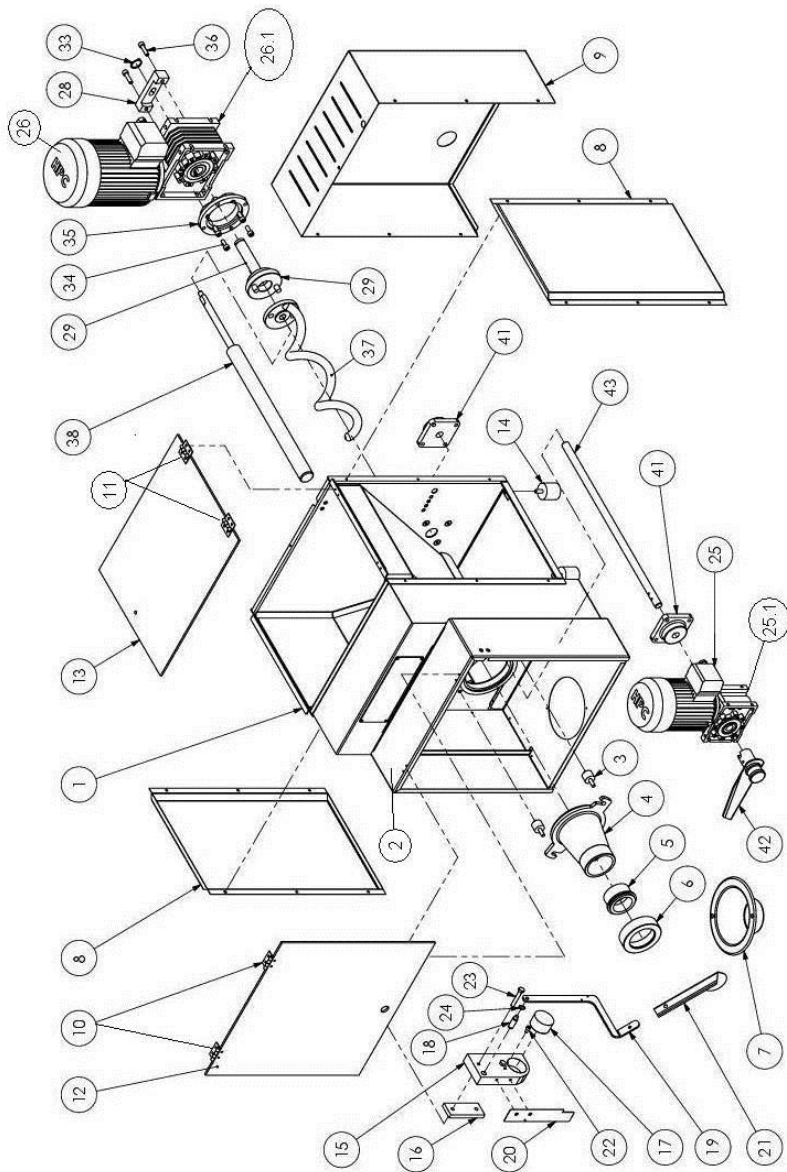
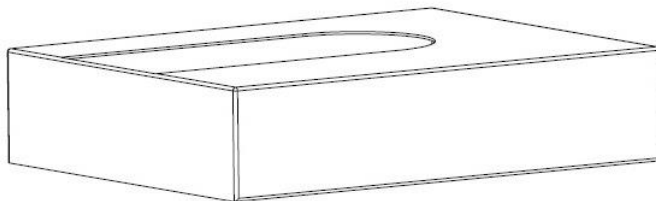


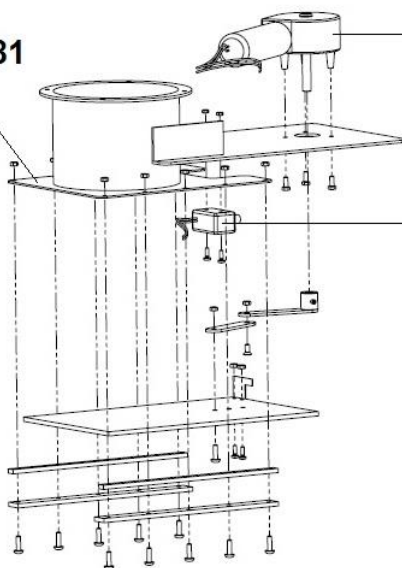
EXPLODED SPARE PARTS VIEW



Scarico (Drain) SA800



**A97YB00081
TRAY**



**A97YB00083
GEARMOTOR**

**A97YB00082
MICRO SWITCH**

Pos.	Code	Description	Quantity
3	A97YB00059	PINS FOR FASTENING EXTRUSION CONE	2
4	A97YB00058	CONE	1
5	A97YB00060	INSERT EXTRUSION	1
6	A97YB00061	RING TO CONE EXTRUSION	1
7	A97YB00056	PLASTIC FUNNEL	1
10	A97YB00068	HINGE FOR DOORS	2
12	A97YB00053	FRONT DOOR	1
13	A97YB00054	TOP DOOR	1
14	A96ZF00019	LITTLE FOOT M8	4
21	A97YB00055	LIMIT SWITCH PASTE	1
25	A87MR55029	MOTOR KNIFE 0,18 kW - 400V - 50Hz - 63 - B14	1
25.1	A96ZL00020	GEARBOX KNIFE 1:20	1
26	A87MR56010	MOTOR SPIRAL 0,75 kW - 400V - 50Hz - 80 - B14	1
26.1	A96ZL00022	GEARBOX SPIRAL 1:60	1
29	A97YB00062	SPIRAL SHAFT	1
35	A97YB00063	GEARBOX FLANGE	1
37	A97YB00064	SPIRAL	1
38	A97YB00065	CENTRAL SHAFT	1
41	A97YB00066	BEARING	2
42	A97YB00057	KNIFE	1
43	A97YB00067	SHAFT OF THE KNIFE	1

TECHNICAL DATA

Model	Tank Capacity (kg)	Portion weight (gr.)	Power (kW)	Single phase supply voltage (V)	Machine dimensions (LxPxH) cm	Net weight (Kg)
SA300	30	50÷300	0,93	400 - 50Hz	51x83x53	74
SA800	30	50÷3X300	0,93	400 - 50Hz	51x83x66	84